

HYDRO FIL® Sludge Separator

Application

Sludge separator used to remove pollution from closed heating circuits and air-conditioning systems and that in new and also existing units.

Removal of sand and rust particles from circuit water to prevent damaging of components such as pumps and valves, thus avoiding blocking of heat exchangers, radiators and pipes

Even smallest particles up to a size of 5µm are removed efficiently at very low pressure drop.

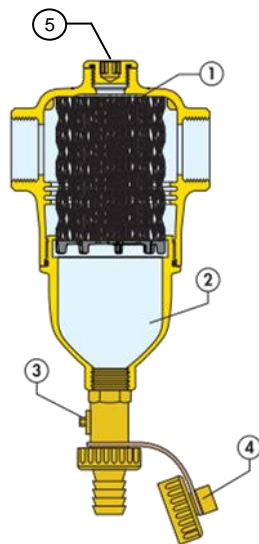
Design

The pollution in the water collide with the inside element (1) when passing the separator. The element has a beam-orientated arranged surface similar to a net. Dirt particles are separated and fall into the collection casing (2). Thanks to the relative large inside volume, the flow speed is optimized in a way that a gravity separation of the particles is carried out.

The collected pollution (particles) is removed by means of special appliance (4) after the discharge valve (3) has been opened. That is possible whilst operation, whereby the sludge separator must be not be locked or the total system be discharged.

In the top part of the separator there is an option (5) for the installation of automatic quick ventilation.

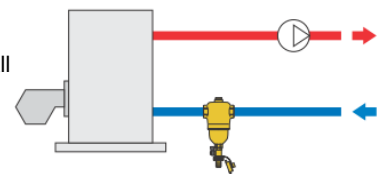
The separator is designed service-friendly. The collection tub where the inside element is fixed to can easily be removed. The element can be removed and cleaned.



Notes / Installation conditions

- Technical Data and general technical regulations as well as local installation rules must be observed.
- The ambient temperature and possible radiation heat shall not exceed 40°C.
- The installation site must be frost protected.
- The installation site must be free from vapour of solvents, colour, lacquer and chemicals.
- The sludge must be discharged and/or collected accordingly – local procurement.
- Preferred installation of sludge separator in the return pipe of the circulation water and horizontal in the pipe.

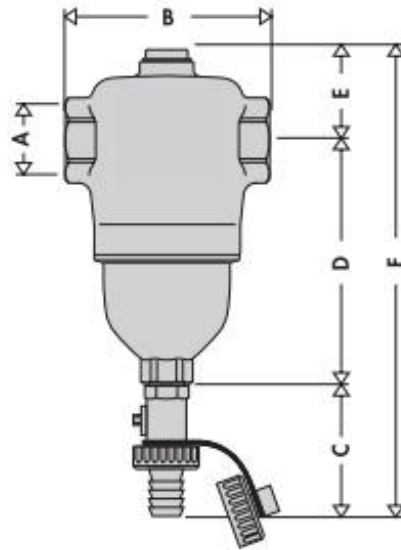
Pollution can above all be collected in the activation phase before coming into the boiler



Technical Data

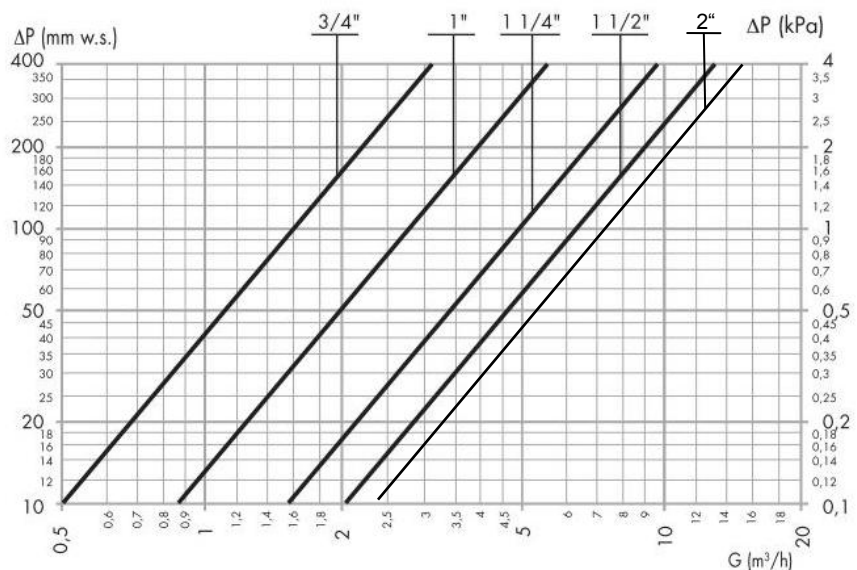
Media: - Water
 - Glycol-water-mixture
 (Glycol portion max. 50 %)

Material:
 Casing brass
 Sludge collecting chamber brass
 Top hood brass
 Inside element PA66G30
 Seals EPDM
 Discharge valve brass
 (with hose connection)



Sludge separator		DN 20	DN 25	DN 32	DN 40	DN 50
Input/output connection (A)		3/4"	1"	1 1/4"	1 1/2"	2"
Ventilation (with plug)		1/2"				
Max. flow	m ³ /h	1.36	2.11	3.47	5.42	8.20
Flow speed	m/s	max. 1.2				
Max. operating pressure	bar	10				
Max. water temperature	°C	90				
Particle separation		Up to 5 µm				
Installation length (B)	mm	110	110	124	124	127
Height (C)	mm	56	56	56	56	56
Height (D)	mm	131.5	131.5	151.5	151.5	145.5
Height (E)	mm	49	49	49	49	55
Total height (F)	mm	236.5	236.5	256.5	256.5	256.5
Weight	kg	1.87	1.87	2.22	2.22	2.36
Article number		535.170	535.171	535.172	535.173	535.188

Pressure drop dependent on flow volume



Date 10/2014 – E-P | Subject to technical modification

Hydrotec GmbH, Roland-Dorschner-Str.5, 95100 Selb | Tel. 09287 / 800 64-0 | info@hydrotec-selb.com | www.hydrotec-selb.com